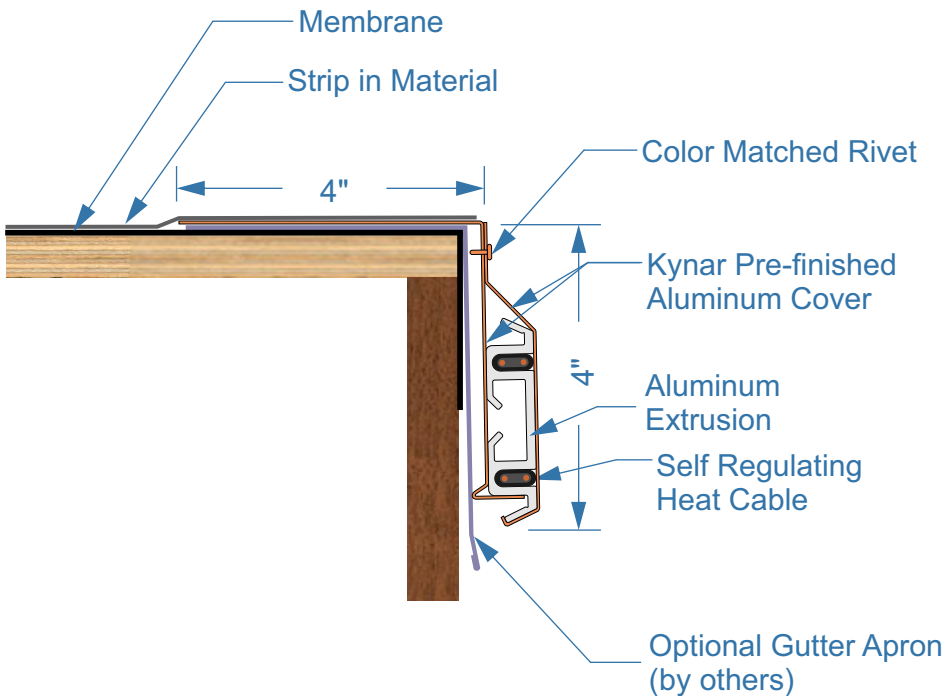


IceBlaster

Eave Panel - Low Slope EP-LS

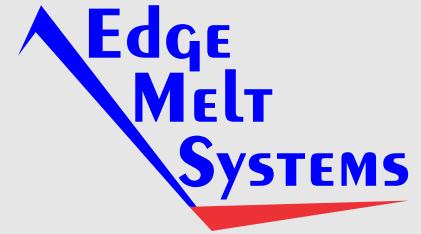
Overview

The IceBlaster Low Slope Eave Panel (EP-LS) is specifically designed to prevent ice dam and icicle build up at the eaves on low sloped/flat roofs. The highly efficient system is comprised of an aluminum extrusion base panel/heat transfer panel which houses two runs of industrial grade self regulating heat cable. Uses for the EP-LS are roof edges, dormer edges and other areas where flat or low sloped roof sections present ice dam and icicle problems. Installation is simple. Base assembly is integrated with the roof materials using standard roof edge flashing techniques. Route two runs of industrial grade self regulating heat cable. Pre-finished aluminum cover panel affixes to the base and is riveted to base panel for maximum heat transfer. Route any heat cable in gutter and downspout(s).



NOTE:

Some roof assembly features omitted for clarity. IceBlaster products are fully compatible with most roof styles and systems. EP-LS can be installed on a roof with or without a gutter. When installing on a roof with a gutter, the gutter and downspout must be heat traced to prevent re-freezing.



Performance:

2 runs of self-regulating industrial grade heat cable

Base Extrusion:

6063 T5 Aluminum

Cover Panel:

0.040" Kynar 500 pre-finished aluminum

Warranty:

50 yr on base panel

30 yr on cover panel finish

10 yr on supplied heat cable

See Warranty for complete details

Supplied Components:

Base extrusion

Panel cover

Splice covers

Mounting hardware

C/US Listed self-regulating heat cable

Options:

110-130v or 208-277v in 5, 8, & 10 watts/foot self regulating heat cable

Standard Colors: Medium Bronze, Matte Black, Dark Bronze, Hartford Green, Mansard Brown, Slate Gray, or Charcoal Gray

Additional Cost Options

20 oz. solid copper

Special Order Colors: Complete line of UnaClad aluminum colors

Standard 10' lengths, can be cut to length