

IceBlaster Edge Melt System Standing Seam Retrofit Panel (SP-SSR)

The IceBlaster Edge Melt System Standing Seam Retrofit Panel (SP-SSR) is specifically designed to prevent ice dam and icicle build up at the roof edge on metal standing seam roofs. The highly efficient system is comprised of an aluminum extrusion base panel which houses two runs of commercial grade self regulating heat cable. Uses for the SP-SSR are roof edges, dormer edges and other areas where metal roof slopes present ice dam and icicle problems. Installation is simple. Base extrusion mounts over existing metal roof attaching to the standing seam with supplied attachment clamp and optional butyl tape. Route two runs of commercial grade self regulating heat cable. Prefinished aluminum cover panel covers extrusion and is riveted to base panel for maximum heat transfer. Route any heat cable in valley, gutter and downspout(s). Expert design layout and installation guidance are available with order.

NOTE:

Roof drip edge or gutter apron, ice/water shield, tarpaper, gutter, gutter strap, and other features omitted for clarity. IceBlaster EMS products are fully compatible with most roof styles and systems. IceBlaster EMS SP-SSR Panel can be installed on a roof overhang without a gutter.

Specifications:

Performance: Two runs of 13 watt (nominal) per foot industrial grade self regulating heat cable

Base Extrusion: 6063 T5 Aluminum

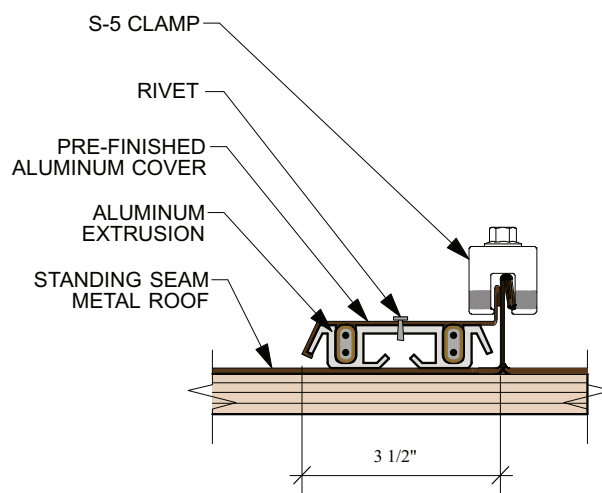
Cover Panel: .040 Kynar 500 prefinished aluminum

Warranty:

- 50 yr on base panel and cover panel material
- 40 yr on cover panel finish
- 10 yr on supplied heat cable
- See Warranty for complete details

Supplied Components:

- Base extrusion, panel cover, and splice covers
- Mounting hardware
- C/US Listed self regulating 13w/ft heat cable
 - 110-130v or 208-277v (voltage specific)
- Power Connection Kit
- Extrusions and covers are 10' standard lengths
 - Standard Colors: Medium Bronze, Matte Black, Dark Bronze, Forest Green, Mansard Brown, 20 oz. real copper.
 - Special Order Colors: Complete line of UnaClad aluminum colors
 - Standard lengths can be cut to length



www.VersaScreenGutterProtection.com

Name	IceBlaster EMS SP-SSR
Project	
Date	3/20/15
Revision	6/22/15
VersaScreen Gutter Protection 262-646-3070 PO Box 180193 Delafield, WI 53018 sales@VersaScreenGutterProtection.com	